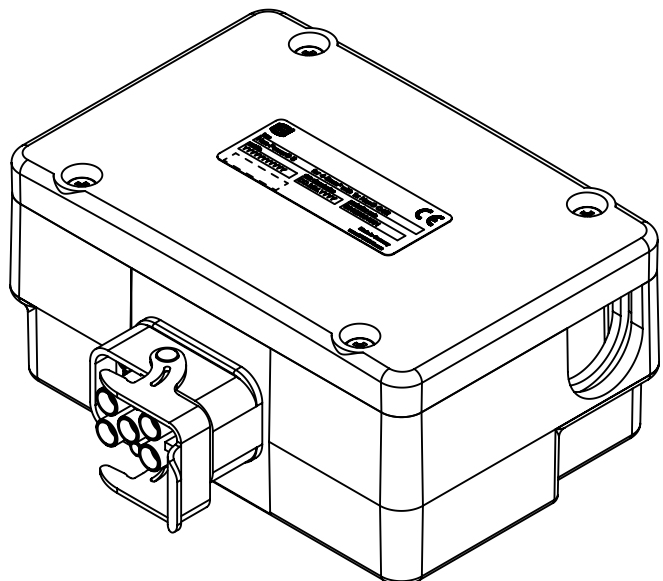
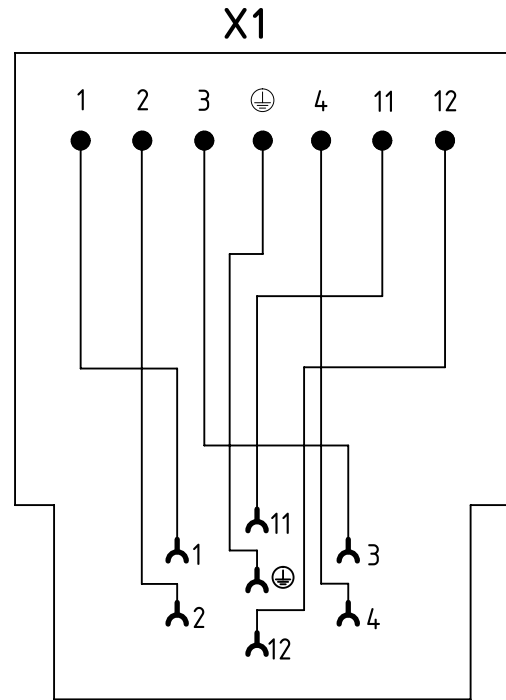


wiring diagram



	All Dimensions in mm Original Size DIN A4		Scale 1:2	Free size tol.		Ref.	
	All rights reserved		Created by FINKEV	Inspected by RIEPE	Standardisation TIEMANNA	Date 2019-06-24	State Final Release
Department EL PD		Title Han Power-S Metall 4,0-6,0mm ²				Doc-Key / ECM-Nr. 100101935/UGD/008/A 500000153405	
HARTING Electric GmbH & Co. KG D-32339 Espelkamp		Type TB	Number 09 12 008 4901			Rev. A	Page 1/1